

EKOWELD

ENCODED ROTATING ARM

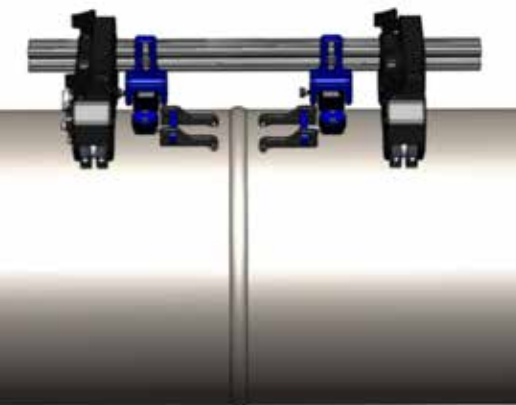
PORTABLE, MANUAL CONTROL UT SYSTEM

Design Intent

The EKOWELD is a simple solution to performing Phased Array and TOFD. The scanner can scan pipe in a circumferential or axial direction and can hold up to 6 transducers at a time. Configuring the scanner is quick and easy. The EKOWELD has magnetic wheels to prevent slipping and hold the scanner's weight. The scanner has compatible connectors available for most UT systems.

Dimensions and Weight

The shipping case containing all components weighs about 21lbs. The scanner alone weighs just 7lbs.



www.ekoscan.fr

3, rue Saint-Georges 71100 CHALON-SUR-SAÛNE - FRANCE / +33 9-81-80-30-79 / contact@ekoscan.fr

Follow us on Twitter [@ekoscan.fr](https://twitter.com/ekoscan.fr)