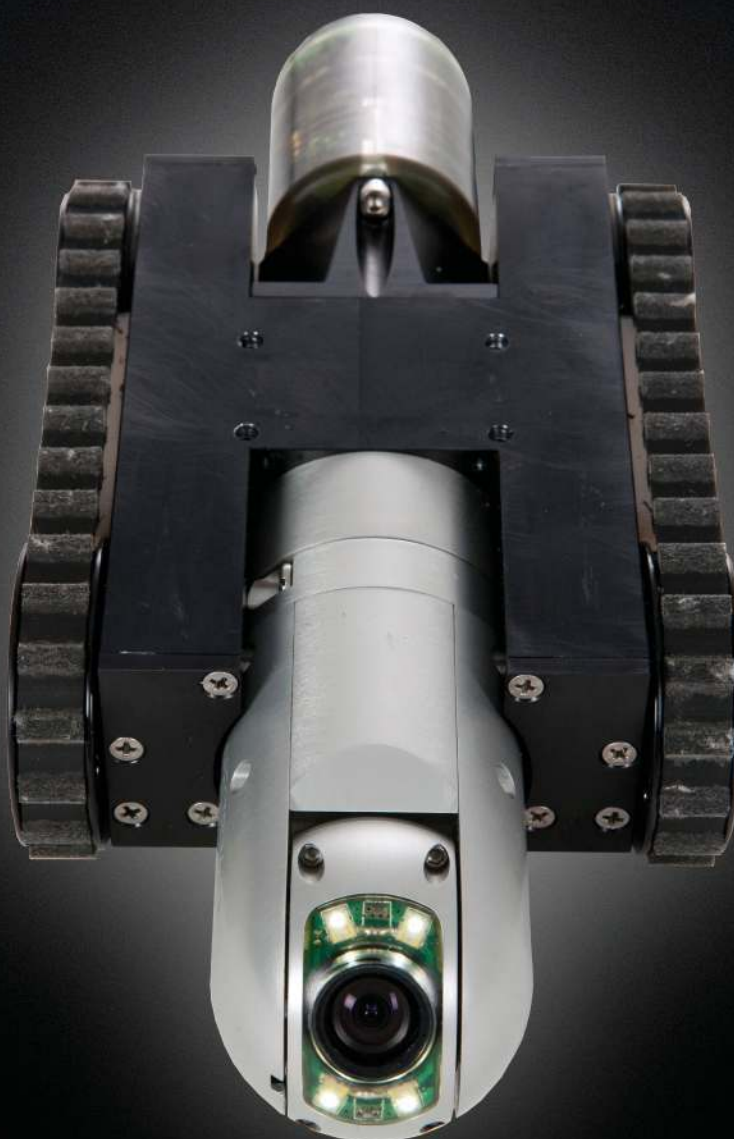


# INUKTUN NANOMAG

*OnSite* Standard Product



# SMALL STUFF. BIG SWEAT.

With the built-in variable intensity lighting and remote focus capability, the Eddyfi Technologies' Inuktun NanoMag™ is effective for evaluating the smallest details and features.

## Industries & Applications

- Nuclear
- Oil & Gas (Onshore)
- Petrochemical

"We primarily use the Nanocrawler for our examinations...its low profile and compact length offer excellent maneuverability and access in the limited space under the Reactor head..."

— D. Gonzales, Diablo Canyon Power Plant

## One of the smallest industrial magnetic crawlers available anywhere

Originally designed to perform remote visual inspections (RVI) on the top and bottom of PWR nuclear reactors, the Inuktun NanoMag™ is one of the smallest industrial magnetic crawlers available anywhere. With both a front facing pan and tilt camera and a rear facing fixed camera, the vehicle itself is still small enough to enter extremely confined spaces like pipes, pressure vessels and HVAC ductwork. The integrated rare-earth magnets and lightweight construction allow it to operate horizontally, vertically, or even upside down on most ferrous metal surfaces.

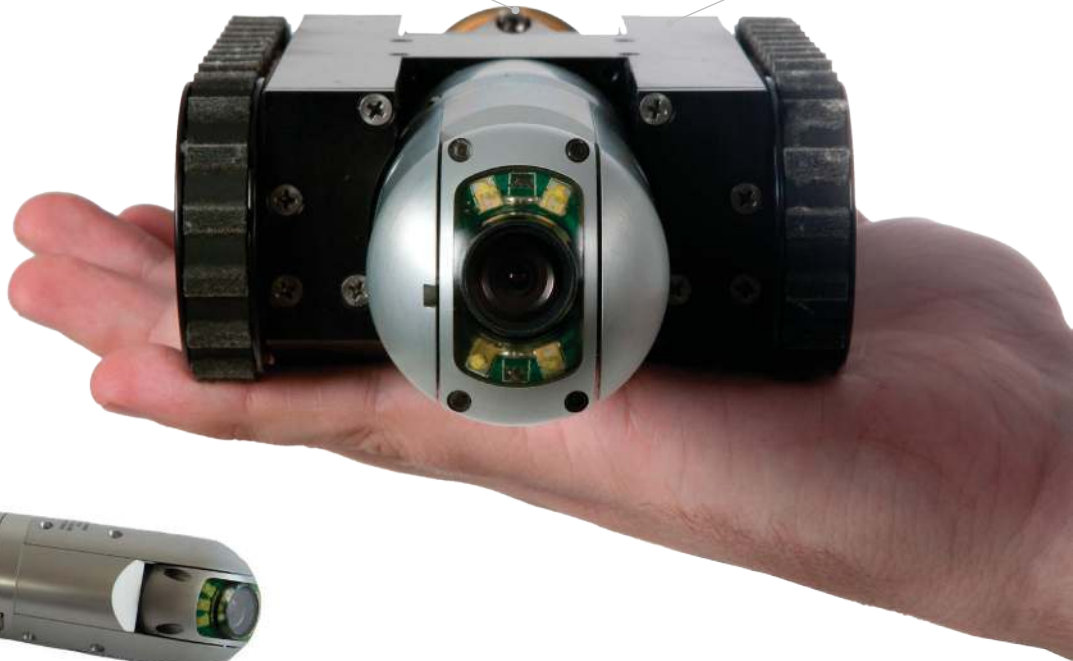
And, with the built-in variable intensity lighting and remote focus capability, the NanoMag is effective for evaluating the smallest details and features, like hairline cracks or corrosion pitting. Truly portable, the entire system is packaged in two Pelican® cases making it easy to transport and quick to deploy in almost any environment.



Vertical Inspection: Built-in rare earth magnets allow the Inuktun NanoMag™ to travel vertically, horizontally and even upside down on ferrous metal surfaces

Inuktun Sapphire™ rear facing camera

Confined Space Entry: Access extremely confined spaces with the low profile and small footprint of the NanoMag™ vehicle



Narrow Vehicle: Slim H-frame vehicle available for limited entry access



# SPECIFICATIONS

## KEY SPECIFICATIONS

Depth Rating	Not designed for underwater
Maximum Tether Length	30 m (100 ft)
Maximum Speed	2.5 m (8 ft) per minute
Vehicle Payload	Up to 4.5 kg (10 lb)
Front Facing Camera	Inuktun Spectrum 45™
Rear Facing Camera	Inuktun Sapphire™
Operating Temperature	0 °-50 °C (32 °-122 °F)*
Vehicle Weight	2.27 kg (5 lb)

**Minimum Vehicle Dimensions (L x W x H)** 224 x 105 x 50 mm (8.8 x 4.1 x 2.0 in)

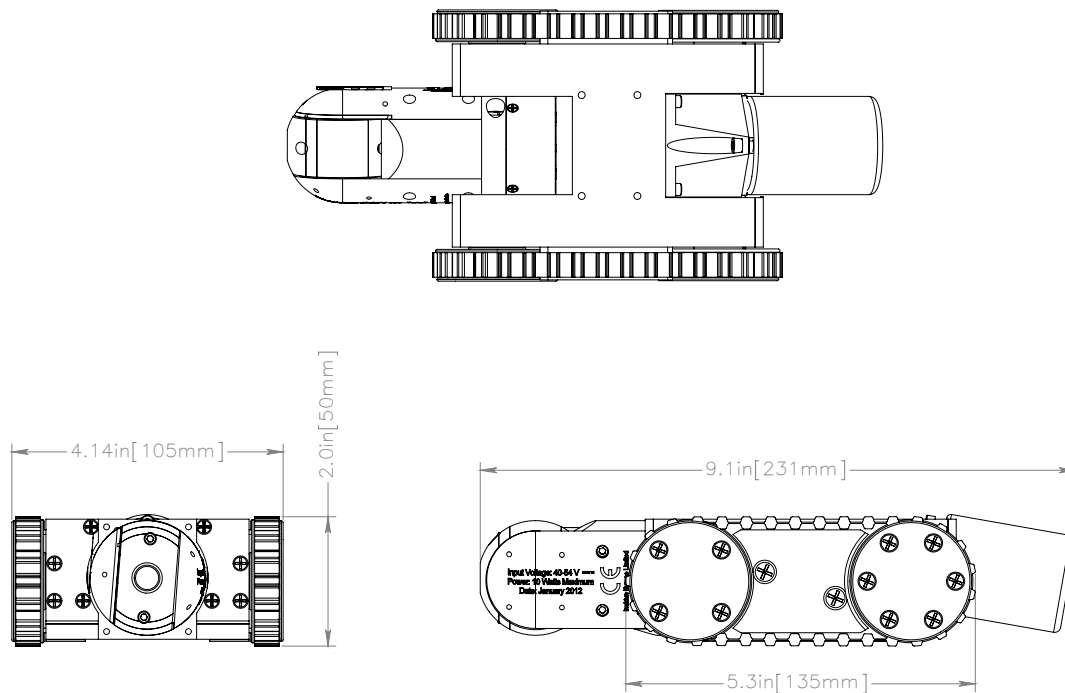
**Standard Components**  
 1 x Spectrum 45™ camera  
 1 x Inuktun Sapphire™  
 Versatrax™ controller and power supply in Pelican® case  
 30 m (100 ft) tether

\*Dependent on operating conditions. Ask your sales expert for more information.



## Inuktun NanoMag™ Standard Dimensions

Units in inches [mm]



The information in this document is accurate as of its publication. Actual products may differ from those presented herein. © 2019 Eddyfi NDT, Inc. Crystal Cam, IM3, and their associated logos are trademarks or registered trademarks of Inuktun Services Ltd. (wholly owned subsidiary of Eddyfi NDT, Inc.) in Canada and/or other countries. Eddyfi Technologies reserves the right to change product offerings and specifications without notice.

[www.eddyfi.com](http://www.eddyfi.com)

[info@eddyfi.com](mailto:info@eddyfi.com)

